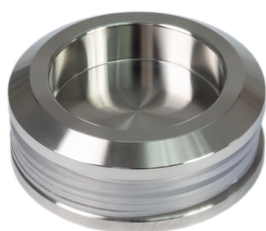


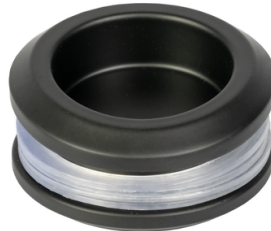
# Datasheet DB0204001x



x=1



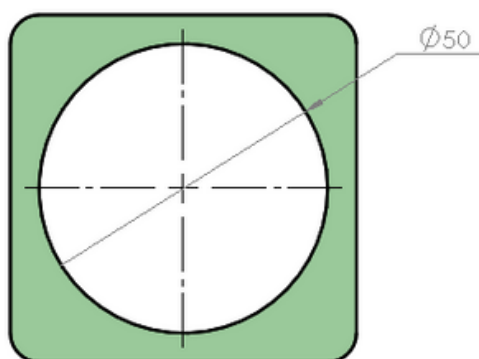
x=2



x=9



x=4



- AISI 304
- for 6 - 12 mm glass
- glass drill Ø 50 mm

