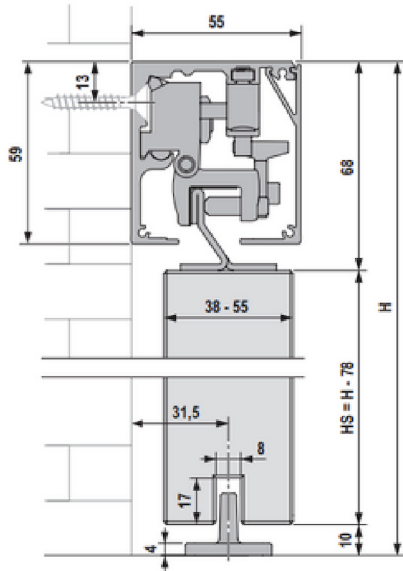
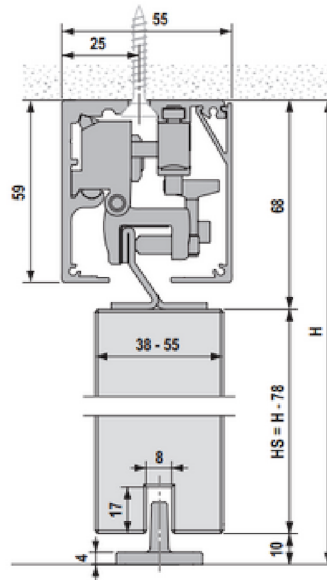


# Datasheet Portavant M50 wood

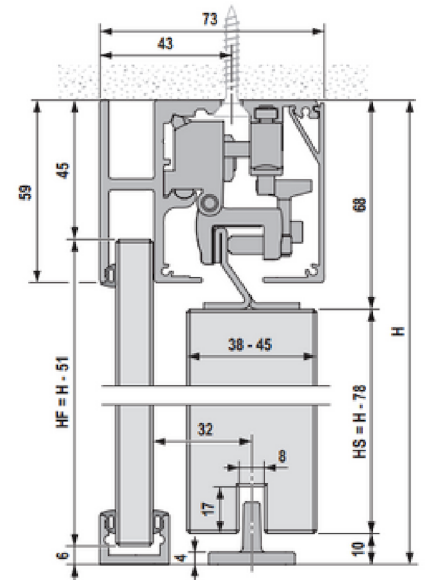
Wall mounting



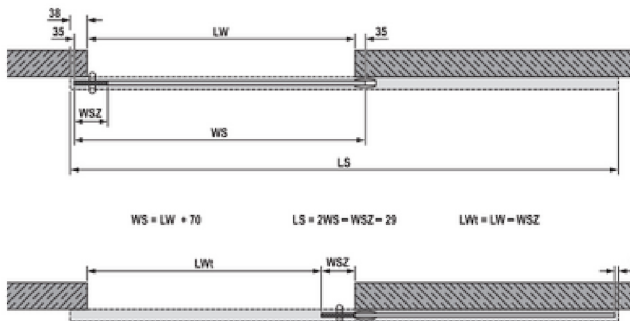
Ceiling mounting



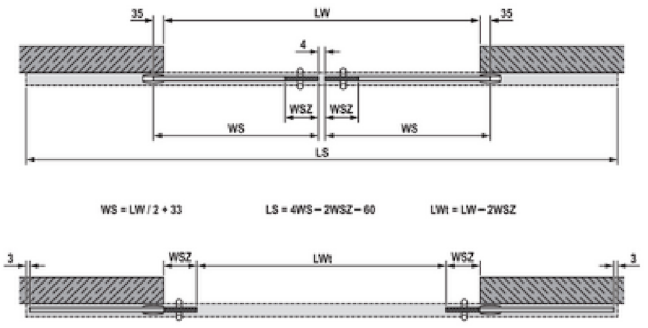
Ceiling mounting with sidelight



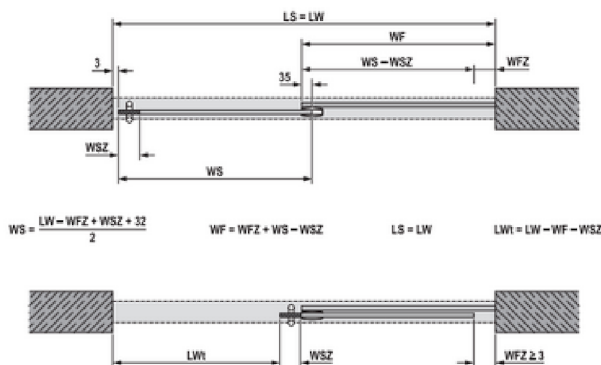
One-sided system without sidelight



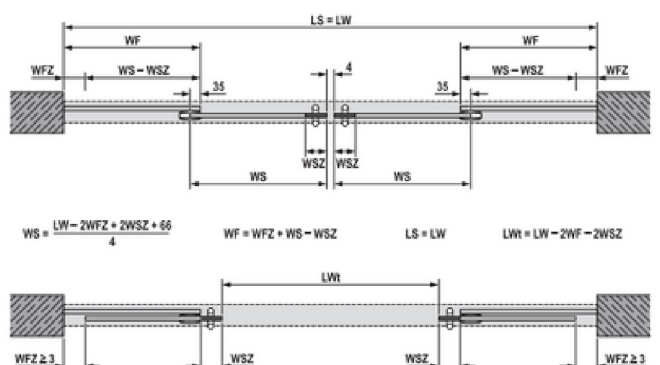
Two-sided system without sidelight



One-sided system with sidelight



Two-sided system with sidelight



Legend

B0 = glass width of transom light	LW = clear width (building)
H = system height	LWt = clear width (door passage)
HF = glass height of sidelight	WF = glass width of sidelight
HS = glass height of sliding sash	WFZ = additional width of sidelight
LH = clear height	WS = glass width of sliding sash with handle
LS = length of track profile/cover profile	WSZ = additional width of sliding sash for handle