

# Datasheet DB0007101x



x=1



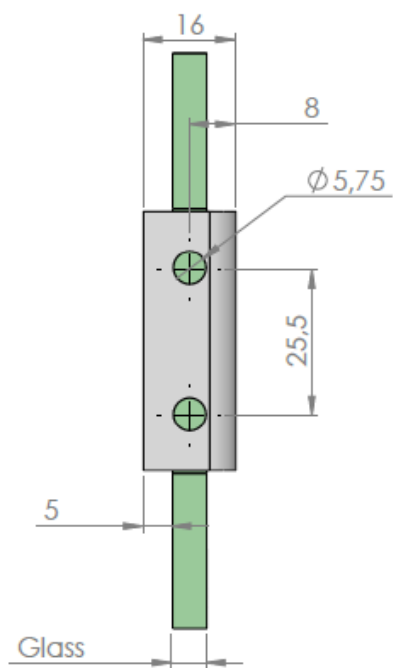
x=2



x=9



x=4



- stainless steel AISI 304 (V2A)
- glass 6 - 10 mm
- glass drilling required

